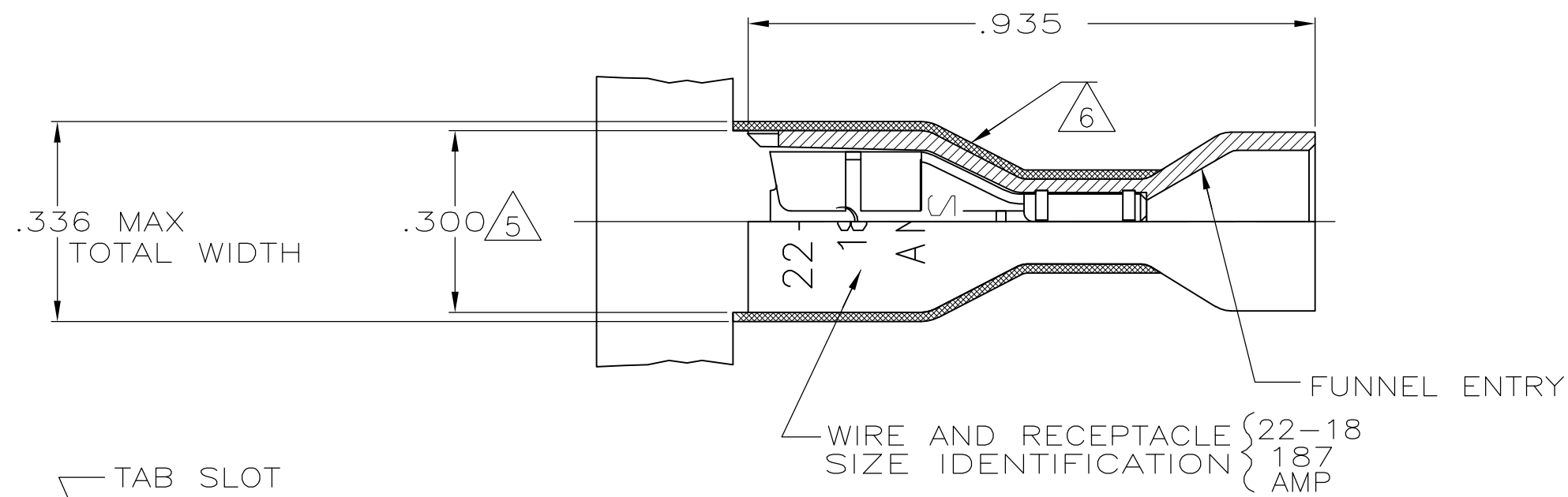
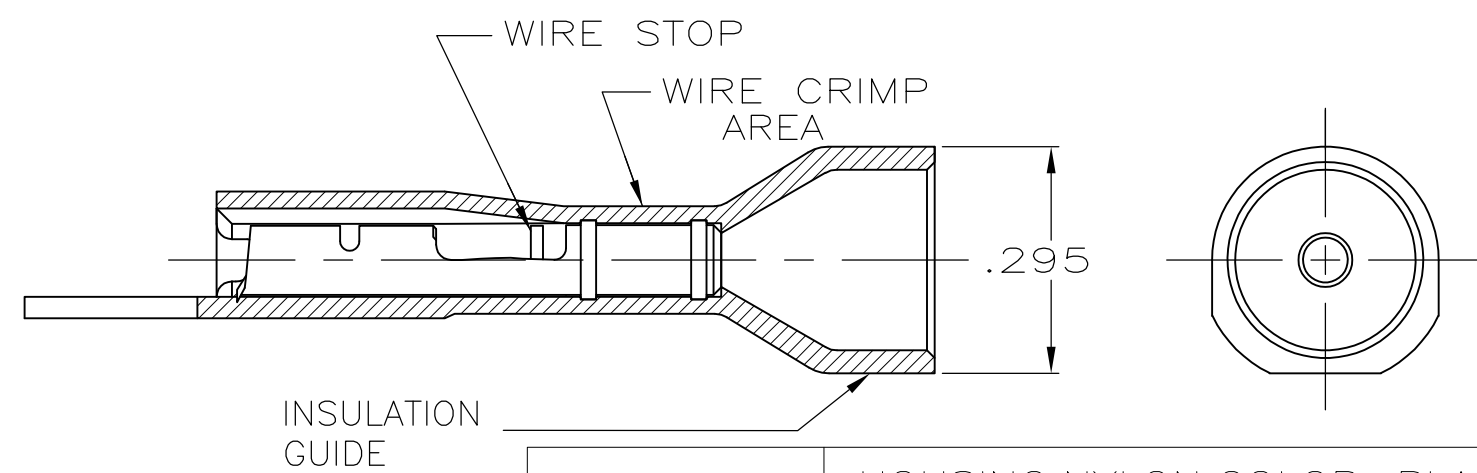
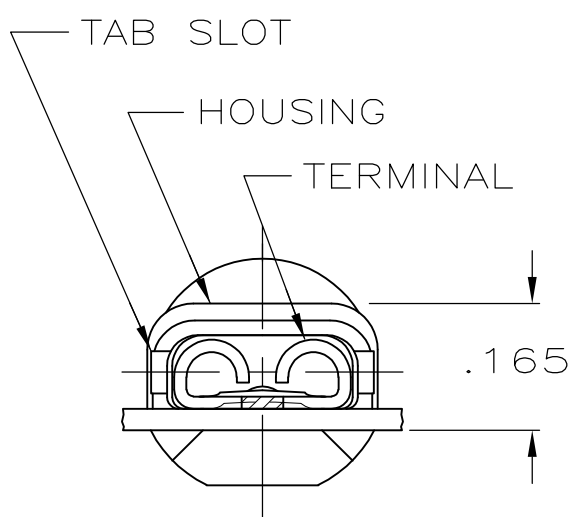


THIS DRAWING IS UNPUBLISHED. RELEASED FOR PUBLICATION
 © COPYRIGHT - By - ALL RIGHTS RESERVED.

LOC	DIST	REVISIONS			
P	LTR	DESCRIPTION	DATE	DWN	APVD
AF	50	R	REVISED PER ECR-13-004343	30JUL13	KH KR



- 1 MATES WITH .020±.001X.187 TAB
- 2 WIRE STRIP LENGTH .281
- 3 INSULATION SIZE .230 MAX DIA
- 4 CONTINUOUS STRIP ON REELS
- △5 DIMENSION DOES NOT INCLUDE TRIM BURR
- △6 .015 MAX CARRIER TRIM BURR PER SIDE IS ALLOWABLE IN THE SHADED AREA



PACKAGING	MATERIAL & FINISH	PART NO.
STANDARD	HOUSING:NYLON,COLOR-BLACK RECEPTACLE:BRASS, TIN	9-520261-2
OBSOLETE	BULK	5-520261-2
STANDARD	HOUSING:NYLON,COLOR-RED TRANSLUCENT RECEPTACLE:BRASS, TIN	2-520261-2

THIS DRAWING IS A CONTROLLED DOCUMENT.		DWN P FORTNEY 11/4/88	STE TE Connectivity				
DIMENSIONS: INCHES		CHK MS FEHER 11/7/88					
TOLERANCES UNLESS OTHERWISE SPECIFIED:		APVD T SHUTTER 11/7/88	NAME RECEPTACLE ASSY,ULTRA-FAST, .187 SERIES, 22-18 AWG				
0 PLC ± -		PRODUCT SPEC 108-2043	SIZE	CAGE CODE	DRAWING NO	RESTRICTED TO	
1 PLC ± -		APPLICATION SPEC 114-2123	A3	00779	C-520261	-	
2 PLC ± -		MATERIAL SEE TABLE	WEIGHT -		SCALE 4:1	SHEET 1 OF 1	REV R
3 PLC ± .015		FINISH SEE TABLE	CUSTOMER DRAWING				
4 PLC ± -							
ANGLES ± -							